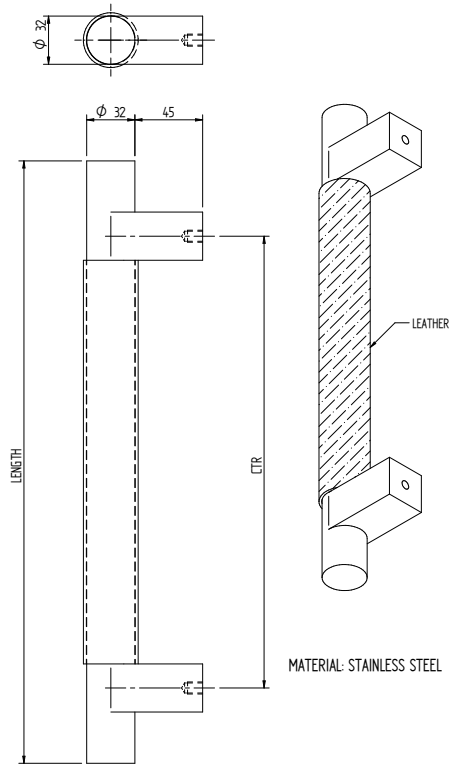




CODE	LENGTH	CTC	SECTION	FINISH
BAH-263/A	600	400	32	TIM/PC/L
BAH-263/B	900	700	32	TIM/PC/L
BAH-263/C	1200	1000	32	TIM/PC/L
BAH-263/D	1500	1300	32	TIM/PC/L
BAH-263/E	1800	1600	32	TIM/PC/L
BAH-263/F	2100	1900	32	TIM/PC/L
BAH-263/G	2400	2200	32	TIM/PC/L

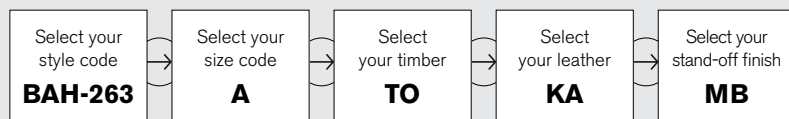
Figures in **bold** indicate handles require intermediate fixing. Special sizes available upon request



Available finishes

Timber	CODE	Leather	CODE	Stand-off colour	CODE
Tasmanian Oak	TO	Kakadu	KA	Matt Black	MB
American Walnut	AW	Tan	TA	Matt White	MW
Spotted Gum	SG	Black	BL	Brass	BR
American White Oak	AWO	Latte	LA	Bronze	BZ
Blackbutt	BB	Brumby Brown	BB	Stainless Steel	SS

How to specify this product



Example specification: **BAH-263 / A / TO / MB**

Fixings

